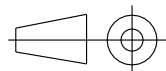
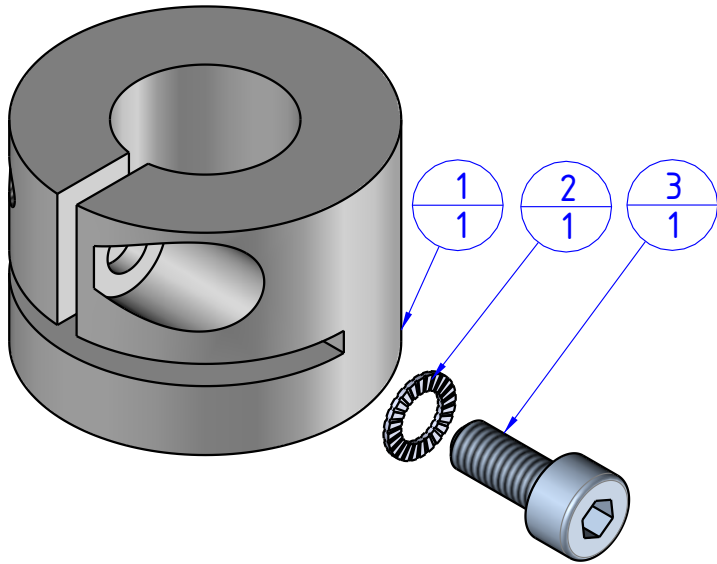
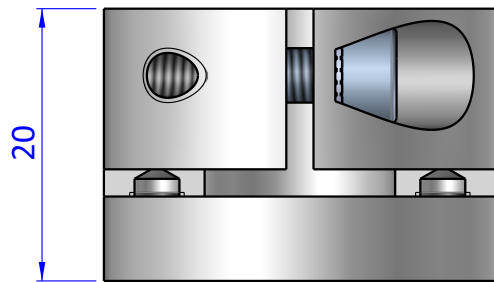
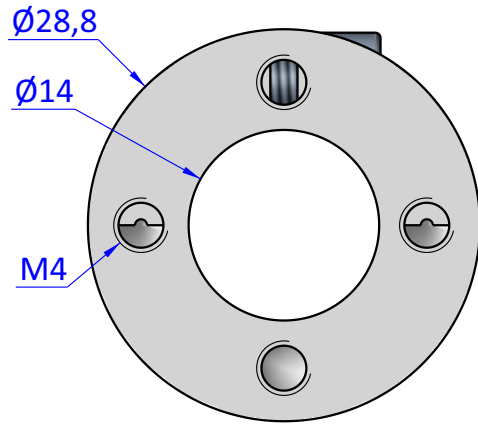


THE PROPERTY OF THE DRAWING IS ESTABLISHED BY LAW. IT IS FORBIDDEN TO PRODUCE OR SHOW IT TO THIRD PART. WITHOUT A WRITTEN AGREEMENT.

Item	Name	Q.ty
1	MTP.14	1
2	R.4.SCH	1
3	V.TCE4x10	1



DESIGNED FROM FPS Automation	REVIEW A
--	--------------------

DATE 07/10/2022	WEIGHT 0,025kg
---------------------------	--------------------------

CODE CA.MTP.14

Format **A4**

UNI 936-76

GENERAL TOLERANCE

UNI - ISO 2768

CLASSE f

DESCRIPTION

CA.MTP.14